



INSTALLATION MANUAL



Table of Content

1.DISCLAIMER OF LIABILITY	3
2.SAFETY PRECAUTIONS	3
3.UNPACKING AND STORAGE	4
3.1.PRODUCT IDENTIFICATION	5
4.ENVIRONMENTAL CONSIDERATIONS	5
4.1.CLIMATE CONDITIONS	5
5.SITE SELECTION	5
6.MOUNTING INSTRUCTIONS	6
6.1. MOUNTING METHODS	6
A. Mounting with Bolts	6
B. Mounting with Clamps	7
6.2. GROUNDING	9
6.3. MODULE WIRING	9
7.ELECTRICAL CONFIGURATION	10
7.1. FUSING	11
7.2. INVERTER SELECTION AND COMPATIBILITY	12
7.3.SELECTION FOR BLOCKING DIODE	12
8.MAINTENANCE AND CARE	12
9.WARNING	13

1.DISCLAIMER OF LIABILITY

The installation, handling and use of Solarie Solar Crystalline modules are beyond company control. Solarie Solar does not assume any responsibility for loss, damage, injury or expense resulting from the improper installation, handling, use or maintenance.

Solarie Solar assumes no responsibility for any infringement of patents or other rights of third parties that may result from use of the module. No license is granted by implication or under any patent or patent rights.

Specifications are subject to change without prior notice.

2.SAFETY PRECAUTIONS

- ⓘ Potentially lethal DC voltages can be generated whenever PV Modules are exposed to a light source therefore, avoid contact with electrically active parts and be sure to isolate live circuits before attempting to make or break any connections.
- ⓘ Only authorized and trained personnel should have access or perform work on the modules or solar system.
- ⓘ When working on electrical connections, remove all metallic jewelry, use properly insulated tools and wear appropriate personal protective equipment to reduce the risk of electric shock.
- ⓘ Do NOT stand or step on, damage or scratch the front or backside surfaces of the module.
- ⓘ Broken modules cannot be repaired and contact with any module surface or frame can lead to electrical shock. Do NOT use a module with broken glass or torn substrate.
- ⓘ Do NOT disassemble the modules or remove any part of the module.
- ⓘ Protect the electrical plug contacts against corrosion and soiling. Make sure that all connectors are corrosion free and clean before making the connection.
- ⓘ Do NOT install or handle modules when they are wet or during periods of high wind.
- ⓘ Ensure sure that all connections are securely made with no gap between the contacts. Any gap can result in electrical arcing that can cause a fire hazard and/or an electric shock.
- ⓘ Make sure that the polarity of each module or a string is not reversed considering the rest of the modules or strings.
- ⓘ Do NOT artificially concentrate sunlight on these solar modules.
- Solarie Solar modules are certified for operating in Class A installations at voltages below 1000Vdc. This maximum voltage should not be exceeded at any time and, as the voltage of the module increases, above data sheet values, at operating temperatures below 25° C, then these need to be taken into account when designing a PV system.
- ⓘ Do NOT use water to extinguish fires of an electrical origin.

- ☒ Under normal conditions, a solar photovoltaic module is likely to produce more current and /or voltage than reported under standard test conditions. Accordingly, the value of Isc marked on this module should be multiplied by a factor of 1.25 when determining the conductor current ratings, fuse sizes and size of controls connected to the SPV output.

3.UNPACKING AND STORAGE

- ☒ At time of receipt, verify that the product delivered is in fact the product ordered the product name, subname, and serial number of each laminate are clearly marked on the outside of each packing box.
- ☒ Leave the product in its original packing box until you are ready to install.
- Store packing boxes in a clean, dry area with relative humidity below 85% and ambient temperatures between -20° C and 40° C.
- ☒ Do NOT stack more than the maximum amount of allowable pallets on top of each other.
- ☒ At the installation site, take care to keep modules and particular their electrical contacts clean and dry before installation. If connector cables are left in damp conditions then the contacts may corrode. Any module with corroded contacts should not be used.
- ☒ If pallets are stored temporarily outside then place a protective covering over the pallet to protect it from direct weathering and do not stack more than one pallet high.
- ☒ Two people are required to unpack the modules from the packing box, when handling modules always use both hands.
- ☒ Do NOT use a knife to cut the zip-ties, but use wire cutting pliers.
- ☒ Do NOT place modules directly on top of each other.



SL-M201810295010001

SL indicate company name.

M indicate mono crystalline; without capital letter indicate Poly crystalline

20181029 indicate production date.

5 indicate cell No.

01 indicate task No.

0001 indicate panels No.

3.1.PRODUCT IDENTIFICATION

Each individual module has a unique serial number laminated behind the glass and another permanently attached to the back-sheet of the module. Note all serial numbers in an installation for your future records.

4.ENVIRONMENTAL CONSIDERATIONS

4.1.CLIMATE CONDITIONS

Solarie Solar Crystalline series modules may be installed in the following conditions for more than 25 years. In addition to the required IEC certification to meet European standards Solarie Solar products have also been tested to verify resistance to ammonia fumes that may be present around barns sheltering cattle, as well as suitability for installation in humid (coastal) areas and areas of high sand storms.

Environment

- Ambient temperature: -40°C to +50°C.
- Operating temperature: -40°C to +85°C.
- Storage temperature: -20°C to +50°C.
- Humidity: < 85RH%
- Mechanical Load Pressure*: 5400Pa (550 Kg/m²) Max from the front side (snow) 2400Pa (wind) from the rear

*Notes:

- The modules have been evaluated by TUV according to IEC61215 for a maximum design loading of below 112.78lb / ft² (5400Pa)
- The mechanical load bearing is dependent upon the mounting methods used and failure to follow the instructions of this manual may result in different capabilities to withstand snow and wind loads. The system installer must ensure that the installation methods used meet these requirements and any local codes and regulations.

5.SITE SELECTION

- ☐ Solarie Solar Modules can be mounted in landscape and portrait orientation however the impact of dirt shading the solar cells can be minimized by orienting the product in portrait.
- ☐ For optimum energy production, solar modules should normally be mounted facing the equator at an angle to the horizontal plane equivalent to the latitude of the installation. In the event that you mount the solar modules at a different angle or orientation then the annual energy production may potentially be adversely impacted.

- ❓ When installing solar modules on a roof always leave a safe working area between the edge of the roof and the external edge of the solar array.
- Position the modules to minimize the chances of shading at any time of the day. Shading can normally be minimized by ensuring that the distance between the obstruction and solar array is greater than three times the obstruction's height.
- ❓ In order not to affect the fire rating, installation angle must be less than 5 in/ft.
- ❓ Avoid using a mounting method that will block the drainage holes in the module frame.
- ❓ When all solar modules are mounted in the same plane and orientation then all can be expected to have similar performance throughout the day and can be connected together to the same inverter channel.
- ❓ If solar modules on the same installation are mounted at different angles or orientations then energy production can normally be optimized by connecting the different orientations to different inverters (or different MPPT if the inverter has more than one MPPT). Refer to inverter manufacturers for further guidelines.
- ❓ Do not install modules in a location where they will be immersed in or continually exposed to water.
- ❓ Solarie Solar Modules have passed the test of PV modules salt mist corrosion ,and can be safely installed in corrosive salt areas within proximity of the ocean or sulfurous areas.
- ❓ Solarie Solar Modules have passed the test of PV modules ammonia corrosion ,and can be safely installed in ammonia-heavy environments, such as farm houses.

6.MOUNTING INSTRUCTIONS

6.1. MOUNTING METHODS

PV modules can be mounted to the substructure using either corrosion-proof M8 bolts placed through the mounting holes on the rear of the module or specially designed module clamps.

Regardless of the fixing method the final installation of the modules must ensure that:

A clearance of at least 115mm is provided between modules frame and the surface of the wall or roof.

The minimum distance between two modules is 10 mm.

The mounting method does not block the module drainage holes.

Panels are not subjected to wind or snow loads exceeding the maximum permissible loads, and are not subject to excessive forces due to the thermal expansion of the support structures.

A.Mounting with Bolts

The frame of each module has 8 x ϕ 9mm mounting holes, ideally placed to optimize the load handling capability, to secure the modules to supporting structure.

- ☐ To maximize mounting longevity, Solarie Solar strongly recommends the use of corrosion proof (stainless steel) fixings
- ☐ Secure the module in each fixing location with an M8mm bolt and a flat washer, spring washer and nut as shown in Figure 1 and tighten to a torque of 16 Nm.

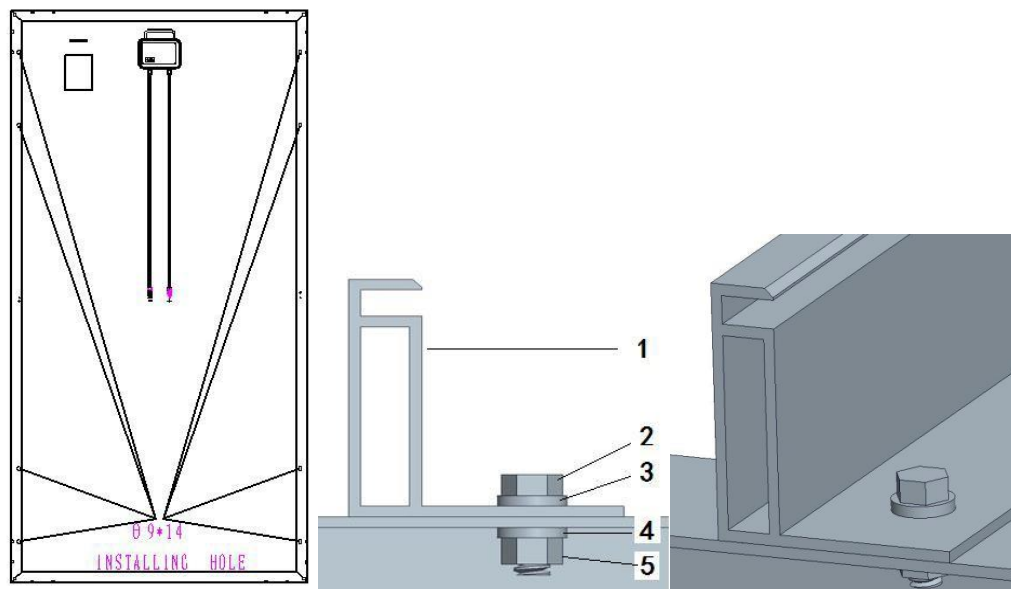


Figure1.Module installed with Bolt fitting method

- 1) Aluminum Frame
- 2) M8 Stainless bolt 3)
- Flat Stainless Washer 4)
- Spring Stainless Washer 5
-) Stainless Nut

B. Mounting with Clamps:

- ☐ Solarie Solar has tested its modules with a number of clamps from different manufacturers and recommends the use of clamps which have an EPDM or similar insulating washer, fixing bolt of at least M6. The clamp must overlap the module frame by at least 7mm but no more than 10 mm.
- ☐ Use at minimum 4 clamps to fix modules on the mounting rails.
- ☐ Modules clamps should not come into contact with the front glass and must not deform the frame.
- ☐ Be sure to avoid shadowing effects from the module clamps.
- ☐ The module frame is not to be modified under any circumstances.
- ☐ When choosing this type of clamp-mounting method, use at least four clamps on each module, two clamps should be attached on each long sides of the module (for portrait orientation) and

each short sides of the module (for landscape orientation). Depending on local wind and snow loads, additional clamps may be required to ensure that modules can bear the load.

- Applied torque should refer to mechanical design standard according to the bolt customer is using, ex:M6 is 8N*M;M8 is 16N*M.

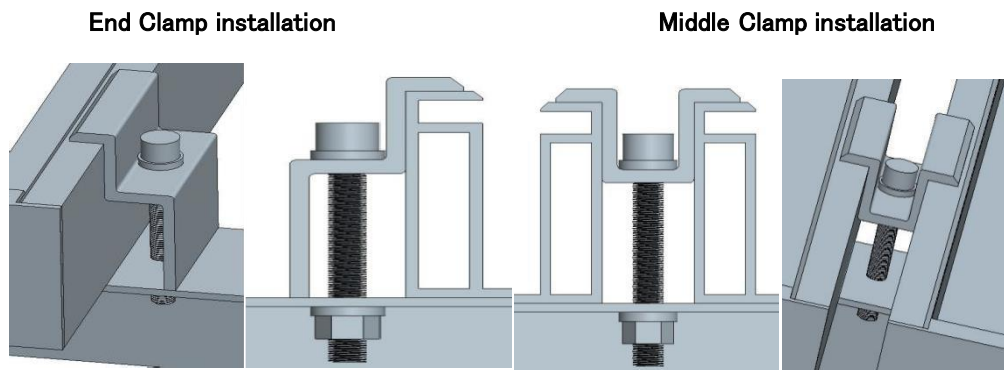
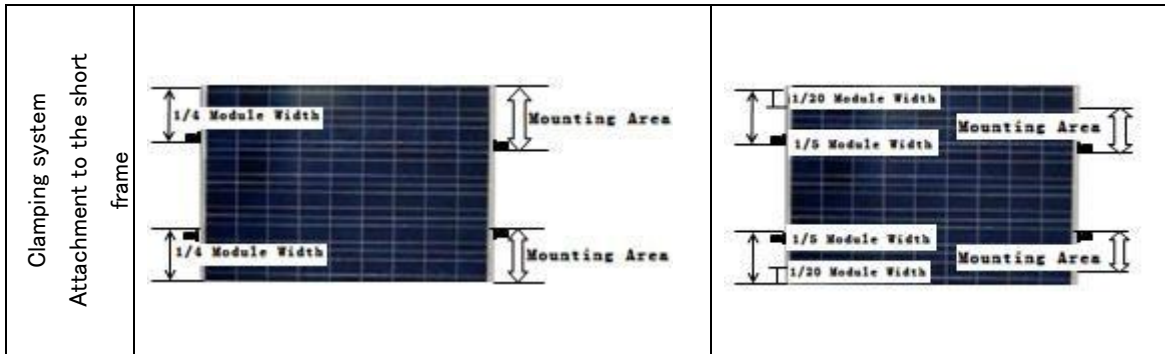


Figure2. Module installed with clamp fitting method

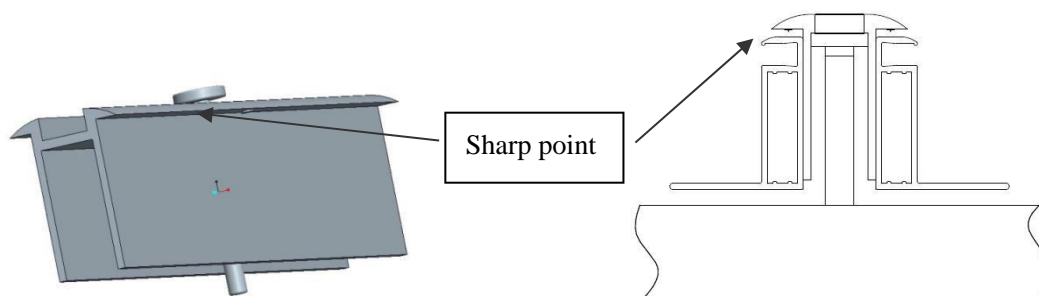
	2,400Pa Load from rear side, 5,400Pa Load from front side	2,400Pa Load from rear side, 5,400Pa Load from front side
Mounting system		
Clamping system Attachment to the long frame		



Other mounting configurations can be used however, failure to comply with the above recommendations will result in a lowering of the load handling (snow/wind load) capabilities below the product specification 5400/2400Pa and product failure as a result of an overload situation will not be covered by the guarantee.

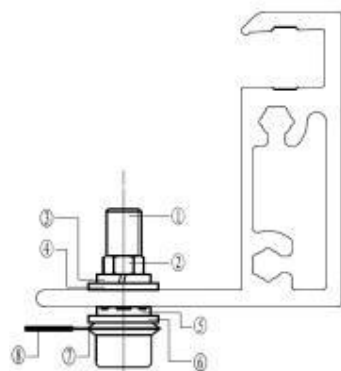
6.2. GROUNDING

- ❑ All module frames and mounting racks must be properly grounded in accordance with appropriate respective National Electrical Code.
- ❑ Proper grounding is achieved by bonding the module frame(s) and all metallic structural members together continuously using a suitable grounding conductor. The grounding conductor or strap may be copper, copper alloy, or any other material acceptable for use as an electrical conductor per respective National Electrical Codes. The grounding conductor must then make a connection to earth using a suitable earth ground electrode.
- Solarie Solar modules can be installed with the use of third party listed grounding devices for grounding the metallic frames of PV modules. The devices have to be installed in accordance with the grounding device manufacturer's specified instructions.
- ❑ Solarie Solar recommends using the following grounding ways:
 - a) Using Schletter for grounding. Connecting modules to the support structure according to the picture below. (Grounding accessories need pass the UL467 standard test.)



- Recommended torque is 20.5Nm
- For more information, please contact the supplier Schletter (<http://www.solar.schletter.de>)

b) The traditional way of grounding (Grounding accessories need pass the UL467 standard test and UL E34440/E6207 test.)



- ① Stainless steel bolt M4 × 30
- ② Stainless steel nut M4
- ③ Stainless steel spring washer M4
- ④ ⑥ Stainless steel flat washer M4
- ⑤ Stainless steel lock-toothed washer M4
- ⑦ Stainless steel cup washer M4
- ⑧ Grounding wire

- For fully grounding, grounding hardware should penetrate the anodic oxidation layer of frame.
- Recommended 10-12 AWG bare copper grounding wire.

6.3. MODULE WIRING

- ❏ All wiring should be performed, by qualified installers, in accordance with the local codes and regulations.
- ❏ Modules can be connected in series to increase the operating voltage by plugging the positive plug of one module into the negative socket of the next. Before connecting modules always ensure that the contacts are corrosion free, clean and dry.
- ❏ Product can be irreparably damaged if an array string is connected in reverse polarity to another. Always verify the voltage and polarity of each individual string before making a parallel connection. If you measure a reversed polarity or a difference of more than 10V between strings then check the string configuration before making the connection.
- Solarie Solar modules are provided with stranded copper cables with a cross sectional area of 4mm² which are rated for 1000Vdc, 90°C and are UV resistant. All other cables used to connect the DC system should have a similar (or better) specification. Solarie Solar recommend that all cables are run in appropriate conduits and sited away from areas prone to water collection.
- ❏ The maximum voltage of the system must be less than the maximum certified voltage (1000V typically) and the maximum input voltage of the inverter and of the other electrical devices installed in the system. To ensure that this is the case, the open circuit voltage of the array string needs to be calculated at the lowest expected ambient temperature for the location. This can be done using the following formula.

$$\text{System voltage} = N \times V_{oc} \times \{1 + TC_{voc} \times (25 - T_{min})\}$$

*Notes:

N: No modules in series

Voc: Open circuit voltage of each module (refer to product label or data sheet)

TCvoc: Thermal coefficient of open circuit voltage for the module (refer to table (add))

Tmin: Minimum ambient temperature

- ☐ The minimum and maximum outer diameters of the cable are 5 to 7mm².
- For field connections, use at least 4 mm² copper wires insulated for a minimum of 90°C and sunlight resistance with insulation designated as PV Wire.
- ☐ The minimum bending radius cables should be 43mm.



7. ELECTRICAL CONFIGURATION

Photovoltaic (electric) systems operate automatically and require very little day-to-day supervision. The solar array generates DC electricity whenever light falls on it similarly the inverter automatically turns ON as soon as there is sufficient energy from the solar array to efficiently convert this into grid quality AC power.

*Caution:

- ☐ The module is rated to operate at potentially lethal DC voltages which have the potential can cause severe electrical shock, arcing and fire hazards. Whilst some solar modules, manufactured by Solarie Solar, are certified to operate up to 1000V dc always check the module label to confirm the actual rating of your product before making connections.
- ☐ Always use a suitably rated isolator (DC switch) to interrupt the current flow before disconnecting the connectors.

7.1. FUSING

When fuses are fitted they should be rated for the maximum DC voltage and connected in each, non-grounded pole of the array (i.e. if the system is not grounded then fuses should be connected in both the positive and negative poles).

The maximum rating of a fuse connected in series with an array string is typically 15A but the actual module specific rating can be found on the product label and in the product datasheet.

This fuse rating value also corresponds to the maximum reverse current that a module can withstand (when one string is shaded then the other parallel strings of modules will be loaded by the shaded string and current will flow) and therefore impacts the number of strings in parallel.

7.2. INVERTER SELECTION AND COMPATIBILITY

When installed in systems governed by IEC regulations, Solarie Solar modules normally do not need to be electronically connected to earth and therefore can be operated together with either galvanically isolated (with transformer) and transformerless inverters.

Potential Induced Degradation (PID) is sometimes observed in PV modules due to a combination of high humidity, high temperature and high voltage. PID is most likely to cause degradation under the following conditions:

- a) Installations in the warm and humid climates
- b) Installation close to a source of continual moisture, such as bodies of water

To reduce the risk of PID, we strongly suggest that modules feature Solarie Solar's Anti-PID technology, which can be applied to any Solarie product. Alternatively, we recommend the use of an inverter that includes a transformer as well as proper grounding of the negative DC leg of the PV array.

Choose inverters with isolation transformers in hot and wet areas (such as shores, wetlands), to ensure proper module function under positive voltage.

7.3. BLOCKING DIODE

In a system that uses a battery, blocking diodes are typically placed between the battery and the module output to prevent battery discharge at night and rainy weather.

Diodes that are used as blocking diodes must have a:

- a) Rated Average Forward Current [$I_{F(AV)}$] above the maximum system current at the highest module operating temperature.
- b) Rated Repetitive Peak Reverse Voltage [V_{RRM}] above the maximum system voltage [V_{max}] at the lowest module operating temperature (IEC: $V_{max}=1000V$; UL: $V_{max}=600V$).

8. MAINTENANCE AND CARE

A well designed solar system requires minimal maintenance; however, system performance and reliability can be improved by taking some simple steps.

- ☒ Maintenance should be carried out at least once a year by trained personnel.
- ☒ Trim any vegetation which may shade the solar array thus impacting performance.
- ☒ Check that mounting hardware is properly tightened.
- ☒ Inspect all cables to verify that connections are tight; the cables are protected from direct sunlight and sited away from areas of water collection.
- ☒ Check that all string fuses in each non/earthed pole are operating.
- ☒ In the event that the solar modules need to be cleaned then clean the module use a soft cloth together with a mild detergent and clean water. Take care to avoid severe thermal shocks which might damage the module by cleaning modules with water which has a similar temperature to the modules being cleaned.

- ② On large systems, the benefit of cleaning dirt and debris from the array is a trade-off between the cost of the cleaning, increased energy production as a result of this cleaning, and the time for the re-soiling of the modules after cleaning.
- ② If you are unsure whether the array or section thereof needs to be cleaned then first select an array string that is particularly soiled then
 - Measure & record the inverter feed in current from that string
 - Clean all modules in the string
 - Measure the inverter feed in current again and calculate the % improvement from cleaning
 - If the improvement is less than 5% then it is normally not worth spending the expense on cleaning
- ② The above verification should only be carried out when the insolation is effectively constant (clear sky, strong sunshine, no clouds)
- ② The back surface of the module normally does not need to be cleaned but, in the event this is deemed necessary, avoid the use of any sharp projects that might damage the penetrating the substrate material.

9. WARNING

These solar modules do not contain any user serviceable parts,

If you suspect that your installation is not working properly, then contact your installer immediately.

- 1、 Contact your installer
- 2、 Contact Solarie Solar after sales service team at: www.solarie-energy.com

WARNING: For any electrical maintenance, the PV system must first be shut down. Improper maintenance can cause lethal electric shock and/or burns.